

	Standard-rope-pulley-program	FUKA ELEVATOR PARTS GERMANY
V01/21EN	Table of Contents	

Table of Contents

Notes and terms of delivery.....	2
SRP.A [Rope Pulley; with accessories for support frame assembly].....	4
SRP.S [Rope Pulley; with pedestal bearings].....	7

Dateiname	Bemerkungen	Seiten
Zusammenstellung_EN_2021_01	This document is a copy and not covered by the updating service!	1/9

	Standard-rope-pulley-program	FUKA ELEVATOR PARTS GERMANY
V01/21EN	Notes and terms of delivery	

Notes and terms of delivery

Introduction

The following pages show a selection of FUKA standard-rope-pulleys, optionally with accessories or as a complete assembly.

In addition to these standard products, we also offer rope / divertor pulleys made of cast iron; Plastic (OPTAMID®) or steel up to a diameter of Ø 2,000 mm as a customer-specific version or as a replacement for existing elevator systems. Original spare parts are available for many brands.

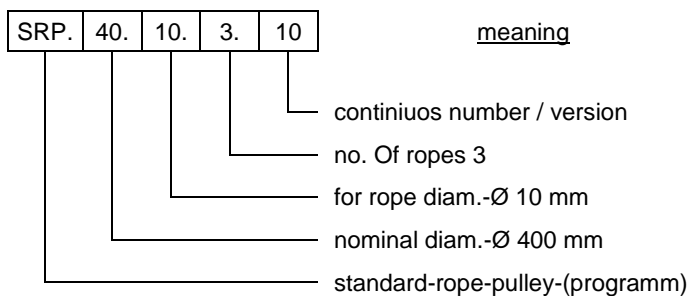
You have a recurring need for identical products? We adopt your standard to ours.

We are looking forward to work out an optimized solution for your application. Please do not hesitate to contact us or use our data sheets at www.fuka.de

FUKA Standard-rope-pulley-program (SRP-pulleys)

For inquiries and orders, we ask you to use our article number.

Detailed decoding of our article numbers:



Design:

Unless other information, the grooves of the rope pulleys are designed with an opening angle of 40°.

Cast iron or steel pulleys are painted yellow. The grooves are without painting.

Materials:

We only use high-quality cast-iron material in accordance with EN-GJL-250 or EN-GJL-300 of certified European suppliers. Axles are made of steel C45 EN 10083-1/2. Pedestal bearings up to an axle diameter Ø 60 mm are cast iron made. Bigger or special dimension are mainly designed as welded steel version.

Dateiname	Bemerkungen	Seiten
Zusammenstellung_EN_2021_01	This document is a copy and not covered by the updating service!	2/9

	Standard-rope-pulley-program	FUKA ELEVATOR PARTS GERMANY
V01/21EN	Notes and terms of delivery	

Bearings

Only high-quality maintenance-free bearings from SKF or FAG are used in our rope pulleys. Depending on the load, we use single row deep groove ball bearings or spherical roller bearings.

Tolerances

Unless otherwise stated, our products are manufactured with the general tolerances according to ISO 2897 - medium. Axles with fit g6 or f6 in the area of the bearing seats and outside -0.1 mm to facilitate assembly and prevent damage to the rolling elements during installation.

Technical design / life cycle

The strength of our raw parts is verified by FEM calculation. Since these are dynamically stressed components, the calculation is based not on the tensile strength, but on the lower flexural fatigue strength of our specific material. In operation, additional shock loads on the rope pulley can result from vibrations or other operating conditions. An industry-standard impact factor of 1.2 is already included in the calculation. The roller bearings are decisive for the specification of the maximum axle load. The nominal lifespan L10h of the bearings assumes a speed of 1.0 m / s and 10,000 hours. The axle load is made up of various factors, such as payload, mass of the cabin, mass of the counterweight, suspension, wrapping, and position of the pulley.

The calculation of the axle load is to be carried out by the elevator designer or can be done by us as an additional service. A template for the transmission of the data that we need for the system calculation can be found here [LINK](#).

Technical documentation

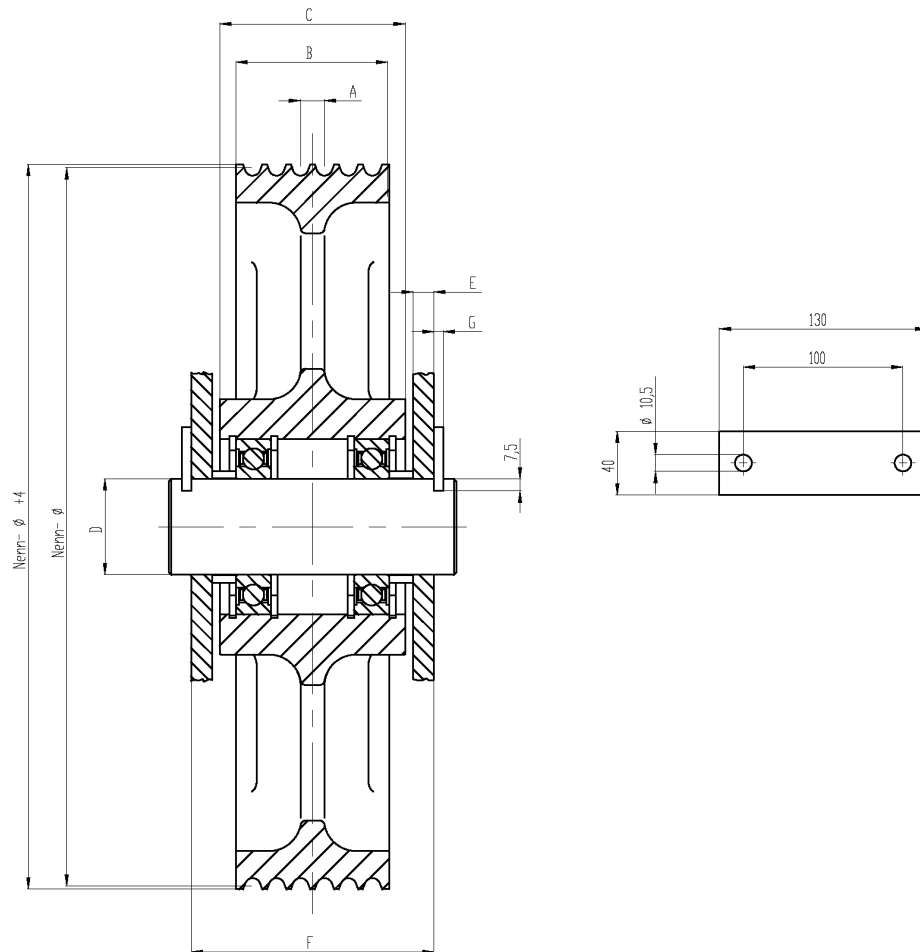
Drawings or 3D data for integration into your design are available for all SRP pulleys. Please contact us for further details.

Dateiname	Bemerkungen	Seiten
Zusammenstellung_EN_2021_01	This document is a copy and not covered by the updating service!	3/9

Standard-rope-pulley-program

V01/21EN

SRP.A [Rope Pulley; with accessories for support frame assembly]



Nominal Ø	Rope Ø	no. of ropes	A	B	C	D	E	F	Bearings	Static load [KN] (2xCo/1,5)	Part ID Rope pulley	Part ID. Complete assembly
240	6,5	8	11	104	104	50	10	132	6210	31	SRP.24.6.8.10	SRP.24.6.8.10.A
		10	11	118	112	55	10	144	6211	39	SRP.24.6.10.10	SRP.24.6.10.10.A
300	8	4	17	77	98	50	10	138	6210	31	SRP.30.8.4.10	SRP.30.8.4.10.A
320	8	3	17	60	82	50	10	120	6010	21	SRP.32.8.3.10	SRP.32.8.3.10.A
		4	17	77	82	50	10	120	6010	21	SRP.32.8.4.10	SRP.32.8.4.10.A
		5	17	94	102	55	12	144	6211	29	SRP.32.8.5.10	SRP.32.8.5.10.A
		6	17	111	102	55	12	144	6211	29	SRP.32.8.6.10	SRP.32.8.6.10.A
		7	17	130	122	60	12	164	6212	48	SRP.32.8.7.10	SRP.32.8.7.10.A
		8	17	150	142	60	12	184	6312	69	SRP.32.8.8.10	SRP.32.8.8.10.A
		10	17	180	172	60	12	214	6312	69	SRP.32.8.10.10	SRP.32.8.10.10.A

Standard-rope-pulley-program



V01/21EN

SRP.A [Rope Pulley; with accessories for support frame assembly]

Nominal Ø	Rope Ø	no. of ropes	A	B	C	D	E	F	Bearings	Static load [KN] (2xCo/1,5)	Part ID	Part ID.
											Rope pulley	Complete assembly
360	9	3	17	60	82	50	10	120	6210	31	SRP.36.9.3.10	SRP.36.9.3.10.A
		4	17	77	82	50	10	120	6210	31	SRP.36.9.4.10	SRP.36.9.4.10.A
		5	17	94	102	55	12	144	6211	39	SRP.36.9.5.10	SRP.36.9.5.10.A
		6	17	111	102	55	12	144	6211	39	SRP.36.9.6.10	SRP.36.9.6.10.A
		7	17	130	122	60	12	164	6212	48	SRP.36.9.7.10	SRP.36.9.7.10.A
		8	14	130	122	60	12	164	6212	48	SRP.36.9.8.10	SRP.36.9.8.10.A
400	10	3	17	60	82	50	10	120	6310	51	SRP.40.10.3.10	SRP.40.10.3.10.A
		4	17	77	82	50	10	120	6310	51	SRP.40.10.4.10	SRP.40.10.4.10.A
		5	17	94	102	55	12	144	6211	39	SRP.40.10.5.10	SRP.40.10.5.10.A
		6	17	111	102	55	12	144	6211	39	SRP.40.10.6.10	SRP.40.10.6.10.A
		7	17	130	122	60	12	164	6212	48	SRP.40.10.7.10	SRP.40.10.7.10.A
		8	17	150	142	60	12	184	6212	48	SRP.40.10.8.10	SRP.40.10.8.10.A
		10	14	150	142	60	12	184	6312	69	SRP.40.10.10.11	SRP.40.10.10.11.A
		10	17	180	172	60	12	214	6312	69	SRP.40.10.10.10	SRP.40.10.10.10.A
450	11	3	17	60	82	50	12	120	6210	31	SRP.45.11.3.10	SRP.45.11.3.10.A
		4	17	77	82	50	12	120	6210	31	SRP.45.11.4.10	SRP.45.11.4.10.A
		5	17	94	102	55	12	144	6211	39	SRP.45.11.5.10	SRP.45.11.5.10.A
		6	17	111	102	55	12	144	6211	39	SRP.45.11.6.10	SRP.45.11.6.10.A
		7	17	130	122	60	12	164	6312	69	SRP.45.11.7.10	SRP.45.11.7.10.A
		8	17	150	142	60	12	184	6312	69	SRP.45.11.8.10	SRP.45.11.8.10.A
500	12	3	17	60	82	50	12	120	6310	51	SRP.50.12.3.10	SRP.50.12.3.10.A
		4	17	77	82	50	12	120	6310	51	SRP.50.12.4.10	SRP.50.12.4.10.A
		5	17	94	102	55	12	144	6211	39	SRP.50.12.5.10	SRP.50.12.5.10.A
		6	17	111	102	55	12	144	6211	39	SRP.50.12.6.10	SRP.50.12.6.10.A
		7	17	130	122	60	12	164	6312	69	SRP.50.12.7.10	SRP.50.12.7.10.A
		8	17	150	142	60	12	184	6312	69	SRP.50.12.8.10	SRP.50.12.8.10.A
520	13	3	17	60	82	50	12	120	6310	51	SRP.52.13.3.10	SRP.52.13.3.10.A
		4	17	77	82	50	12	120	6310	51	SRP.52.13.4.10	SRP.52.13.4.10.A
		5	17	94	102	55	12	144	6311	60	SRP.52.13.5.10	SRP.52.13.5.10.A
		6	17	111	102	55	12	144	6311	60	SRP.52.13.6.10	SRP.52.13.6.10.A
		7	17	130	122	60	12	164	6312	69	SRP.52.13.7.10	SRP.52.13.7.10.A
		8	17	150	142	60	12	184	6312	69	SRP.52.13.8.10	SRP.52.13.8.10.A
		10	17	180	172	60	12	214	2212	221	SRP.52.13.10.10	SRP.52.13.10.10.A

	Standard-rope-pulley-program	FUKA ELEVATOR PARTS GERMANY
V01/21EN	SRP.A [Rope Pulley; with accessories for support frame assembly]	

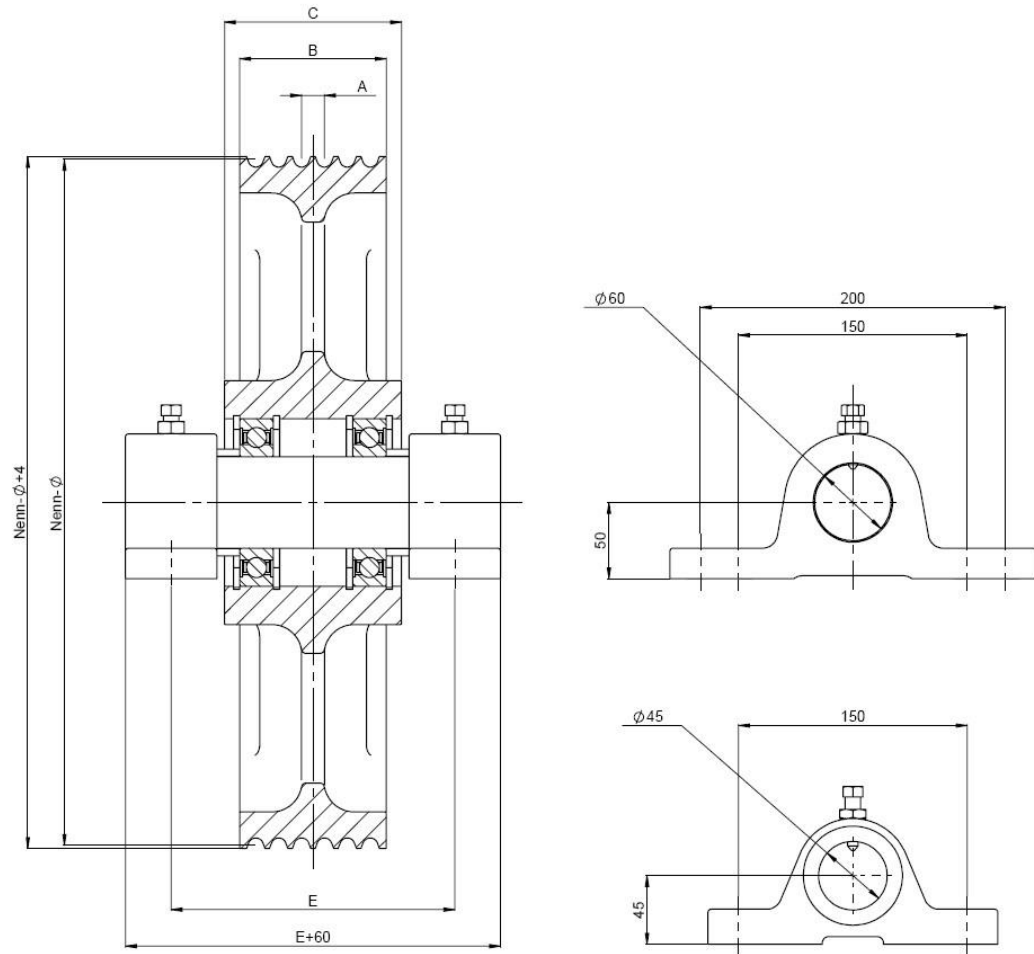
Nominal Ø	Rope Ø	no. of ropes	A	B	C	D	E	F	Bearings	Static load [KN] (2xCo/1,5)	Part ID	Part ID.
											Rope pulley	Complete assembly
550	11	3	17	60	82	50	12	120	6310	51	SRP.55.11.3.10	SRP.55.11.3.10.A
		4	17	77	82	50	12	120	6310	51	SRP.55.11.4.11	SRP.55.11.4.11.A
		5	17	94	102	55	12	144	6311	60	SRP.55.11.5.11	SRP.55.11.5.11.A
		6	17	111	102	55	12	144	6311	60	SRP.55.11.6.11	SRP.55.11.6.11.A
		7	17	130	122	60	12	164	6312	69	SRP.55.11.7.11	SRP.55.11.7.11.A
		8	17	150	142	60	12	184	6312	69	SRP.55.11.8.11	SRP.55.11.8.11.A
550	13	3	20	77	82	55	12	144	6211	39	SRP.55.13.3.11	SRP.55.13.3.11.A
		4	20	94	102	55	12	144	6211	39	SRP.55.13.4.11	SRP.55.13.4.11.A
		5	20	111	102	55	12	144	6311	60	SRP.55.13.5.11	SRP.55.13.5.11.A
		6	20	130	122	55	12	164	6311	60	SRP.55.13.6.11	SRP.55.13.6.11.A
		7	20	150	142	55	12	184	6311	60	SRP.55.13.7.11	SRP.55.13.7.11.A
		8	20	180	172	60	12	214	2212	221	SRP.55.13.8.11	SRP.55.13.8.11.A

Dateiname	Bemerkungen	Seiten
Zusammenstellung_EN_2021_01	This document is a copy and not covered by the updating service!	6/9

Standard-rope-pulley-program

V01/21EN

SRP.S [Rope Pulley; with pedestal bearings]



Nominal Ø	Rope Ø	no. of ropes	A	B	C	E	Diameter of the axle	Pedestal bearings	Bearings	Static load [KN] (2xCo/1,5)	Part ID Rope pulley	Part ID. Complete assembly
240	6,5	8	11	104	104	180	50	45	6210	31	SRP.24.6.8.10	SRP.24.6.8.10.S
		10	11	118	112	180	55		6211	39	SRP.24.6.10.10	SRP.24.6.10.10.S
300	8	4	17	77	98	180	50	45	6210	31	SRP.30.8.4.10	SRP.30.8.4.10.S
320	8	3	17	60	82	155	50	45	6010	21	SRP.32.8.3.10	SRP.32.8.3.10.S
		4	17	77	82	155	50		6010	21	SRP.32.8.4.10	SRP.32.8.4.10.S
		5	17	94	102	180	55		6211	29	SRP.32.8.5.10	SRP.32.8.5.10.S
		6	17	111	102	180	55		6211	29	SRP.32.8.6.10	SRP.32.8.6.10.S
		7	17	130	122	200	60		6212	48	SRP.32.8.7.10	SRP.32.8.7.10.S
		8	17	150	142	220	60		6312	69	SRP.32.8.8.10	SRP.32.8.8.10.S
		10	17	180	172	250	60		6312	69	SRP.32.8.10.10	SRP.32.8.10.10.S

Dateiname

Zusammenstellung_EN_2021_01

Bemerkungen

This document is a copy and not covered by the updating service!

Seiten

7/9

Standard-rope-pulley-program



V01/21EN

SRP.S [Rope Pulley; with pedestal bearings]

Nominal Ø	Rope Ø	no. of ropes	A	B	C	E	Diameter of the axle	Pedestal bearings	Bearings	Static load [KN] (2xCo/1,5)	Part ID Rope pulley	Part ID. Complete assembly
360	9	3	17	60	82	155	50	45	6210	31	SRP.36.9.3.10	SRP.36.9.3.10.S
		4	17	77	82	155	50		6210	31	SRP.36.9.4.10	SRP.36.9.4.10.S
		5	17	94	102	180	55		6211	39	SRP.36.9.5.10	SRP.36.9.5.10.S
		6	17	111	102	180	55		6211	39	SRP.36.9.6.10	SRP.36.9.6.10.S
		7	17	130	122	200	60		6212	48	SRP.36.9.7.10	SRP.36.9.7.10.S
		8	14	130	122	200	60		6212	48	SRP.36.9.8.10	SRP.36.9.8.10.S
400	10	3	17	60	82	155	50	45	6310	51	SRP.40.10.3.10	SRP.40.10.3.10.S
		4	17	77	82	155	50		6310	51	SRP.40.10.4.10	SRP.40.10.4.10.S
		5	17	94	102	180	55		6211	39	SRP.40.10.5.10	SRP.40.10.5.10.S
		6	17	111	102	180	55		6211	39	SRP.40.10.6.10	SRP.40.10.6.10.S
		7	17	130	122	200	60		6212	48	SRP.40.10.7.10	SRP.40.10.7.10.S
		8	17	150	142	220	60		6212	48	SRP.40.10.8.10	SRP.40.10.8.10.S
		10	14	150	142	220	60	60	6312	69	SRP.40.10.10.11	SRP.40.10.10.11.S
		10	17	180	172	250	60		6312	69	SRP.40.10.10.10	SRP.40.10.10.10.S
450	11	3	17	60	82	155	50	45	6210	31	SRP.45.11.3.10	SRP.45.11.3.10.S
		4	17	77	82	155	50		6210	31	SRP.45.11.4.10	SRP.45.11.4.10.S
		5	17	94	102	180	55		6211	39	SRP.45.11.5.10	SRP.45.11.5.10.S
		6	17	111	102	180	55		6211	39	SRP.45.11.6.10	SRP.45.11.6.10.S
		7	17	130	122	200	60		6312	69	SRP.45.11.7.10	SRP.45.11.7.10.S
		8	17	150	142	220	60		6312	69	SRP.45.11.8.10	SRP.45.11.8.10.S
500	12	3	17	60	82	155	50	45	6310	51	SRP.50.12.3.10	SRP.50.12.3.10.S
		4	17	77	82	155	50		6310	51	SRP.50.12.4.10	SRP.50.12.4.10.S
		5	17	94	102	180	55		6211	39	SRP.50.12.5.10	SRP.50.12.5.10.S
		6	17	111	102	180	55		6211	39	SRP.50.12.6.10	SRP.50.12.6.10.S
		7	17	130	122	200	60		6312	69	SRP.50.12.7.10	SRP.50.12.7.10.S
		8	17	150	142	220	60		6312	69	SRP.50.12.8.10	SRP.50.12.8.10.S
520	13	3	17	60	82	155	50	45	6310	51	SRP.52.13.3.10	SRP.52.13.3.10.S
		4	17	77	82	155	50		6310	51	SRP.52.13.4.10	SRP.52.13.4.10.S
		5	17	94	102	180	55		6311	60	SRP.52.13.5.10	SRP.52.13.5.10.S
		6	17	111	102	180	55		6311	60	SRP.52.13.6.10	SRP.52.13.6.10.S
		7	17	130	122	200	60		6312	69	SRP.52.13.7.10	SRP.52.13.7.10.S
		8	17	150	142	220	60		6312	69	SRP.52.13.8.10	SRP.52.13.8.10.S
		10	17	180	172	250	60		60	2212	221	SRP.52.13.10.10

Standard-rope-pulley-program



V01/21EN

SRP.S [Rope Pulley; with pedestal bearings]

Nominal Ø	Rope Ø	no. of ropes	A	B	C	E	Diameter of the axle	Pedestal bearings	Bearings	Static load [KN] (2xCo/1,5)	Part ID Rope pulley	Part ID. Complete assembly
550	11	3	17	60	82	155	50	45	6310	51	SRP.55.11.3.10	SRP.55.11.3.10.S
		4	17	77	82	155	50		6310	51	SRP.55.11.4.11	SRP.55.11.4.11.S
		5	17	94	102	180	55		6311	60	SRP.55.11.5.11	SRP.55.11.5.11.S
		6	17	111	102	180	55		6311	60	SRP.55.11.6.11	SRP.55.11.6.11.S
		7	17	130	122	200	60		6312	69	SRP.55.11.7.11	SRP.55.11.7.11.S
		8	17	150	142	220	60		6312	69	SRP.55.11.8.11	SRP.55.11.8.11.S
550	13	3	20	77	82	155	55	45	6211	39	SRP.55.13.3.11	SRP.55.13.3.11.S
		4	20	94	102	180	55		6211	39	SRP.55.13.4.11	SRP.55.13.4.11.S
		5	20	111	102	180	55		6311	60	SRP.55.13.5.11	SRP.55.13.5.11.S
		6	20	130	122	200	55		6311	60	SRP.55.13.6.11	SRP.55.13.6.11.S
		7	20	150	142	220	55		6311	60	SRP.55.13.7.11	SRP.55.13.7.11.S
		8	20	180	172	250	60	60	2212	221	SRP.55.13.8.11	SRP.55.13.8.11.S

Dateiname	Bemerkungen	Seiten
Zusammenstellung_EN_2021_01	This document is a copy and not covered by the updating service!	9/9